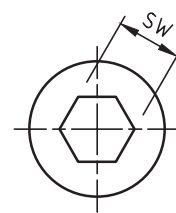
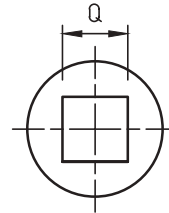
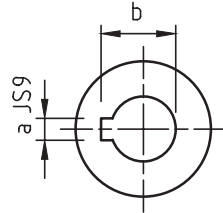
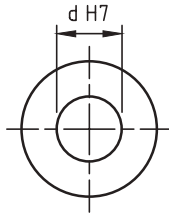
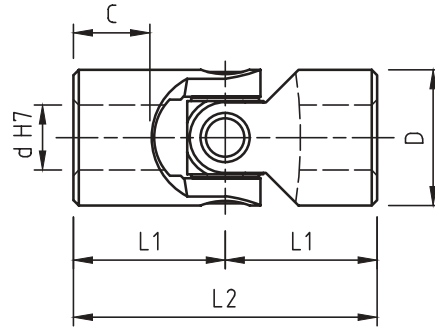


serie «H» series (DIN 808)

- Roller bearings lubricated for life. No maintenance required.
- Precise and versatile, silent and smooth running; wide application field.
- max angle 45°. Max speed 4000 R.P.M.
- "H" to DIN 808 - "HB" to DIN 808/7551
- Special executions on request



Mod. Type	Code	d	D	L2	L1	C	Code	Code	a	b	Code	Q	SW *	Weight Kg
03H	SH0S 1000	10	22	48	24	12	SH0S 101C	SH0S 102C	3	11.4	SH0S 102Q	10	10	0.10
04H	SH0S 1200	12	25	56	28	13	SH0S 121C	SH0S 122C	4	13.8	SH0S 122Q	12	12	0.16
05H	SH0S 1400	14	28	60	30	14	SH0S 141C	SH0S 142C	5	16.3	SH0S 142Q	14	14	0.20
1H	SH0S 1600	16	32	68	34	16	SH0S 161C	SH0S 162C	5	18.3	SH0S 162Q	16	16	0.30
2H	SH0S 1800	18	36	74	37	17	SH0S 181C	SH0S 182C	6	20.8	SH0S 182Q	18	18	0.45
3H	SH0S 2000	20	42	82	41	18	SH0S 201C	SH0S 202C	6	22.8	SH0S 202Q	20	20	0.60
4H	SH0S 2200	22	45	95	47.5	22	SH0S 221C	SH0S 222C	6	24.8	SH0S 222Q	22	22	0.95

